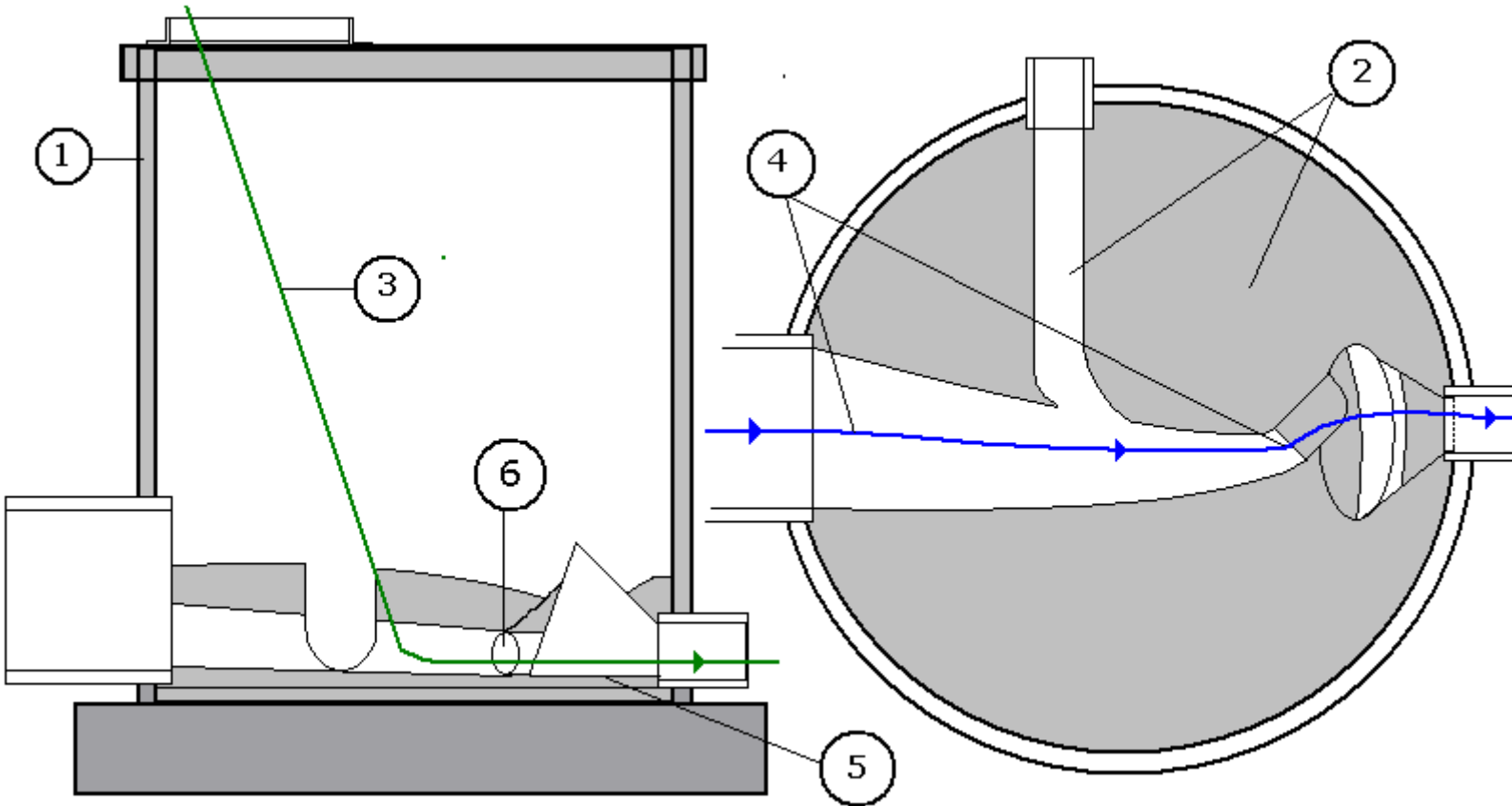


# Chris Faulkner Flow Controls

119b Sydney Road, Muswell Hill, London, N10 2ND  
sales@chrisfaulknerflowcontrols.co.uk

T : +44 (0) 845 838 5903 F : +44 (0) 845 838 5904  
www.chrisfaulknerinternational.eu

Typical detail of Horizontal Vortex Control's compliance with:-  
Document H The Building Regulations 2000, The Confined Spaces Regulations 1997,  
The Working at Height Regulations 2005 and The CDM Regulations 2007 ACOP



## The Requirements:-

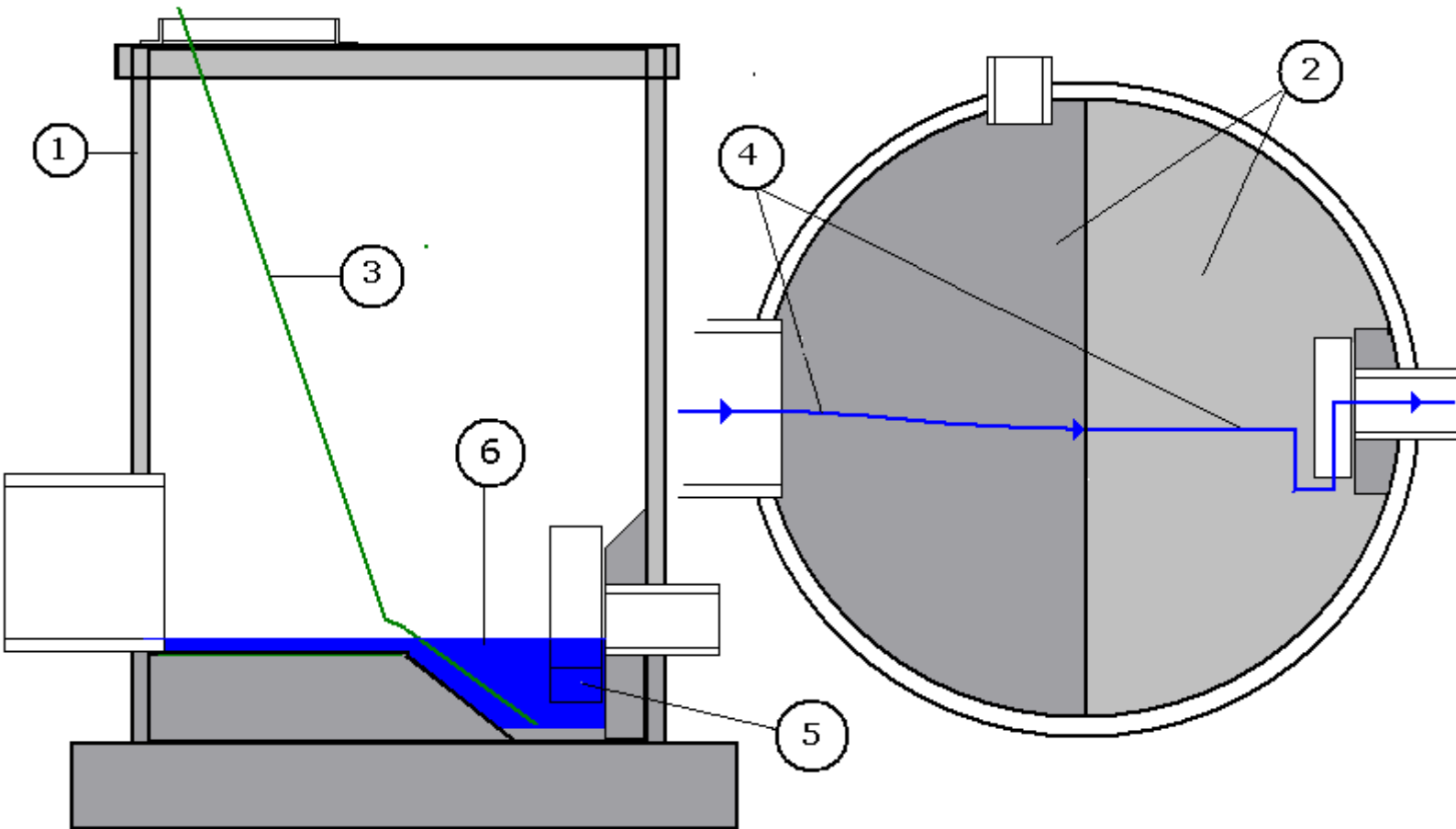
- (1) Doc. H1 Para. 2.48 Tables 11 & 12 : CDM Regs. Regulation 2 : WAH Regs. Regulation 2
- (2) Doc H1 Para.2.53
- (3) Doc H1 Para.2.46 - 2.50 : CS Regs. Regulation 4
- (4) Doc H1 Para. 2.13, 2.19, 2.20 & 2.53
- (5) Doc H1 Para. 2.18 & 2.22 (b)
- (6) Doc H3 Para. 3.14

## General CDM Regulation duties under Approved Code of Practice

Reg 2 Para. 117 : Regs. 4,5,6,11 & 18 Para. 119

The above is not exhaustive. Please contact us for further information

Typical detail of Type 1 Vortex Control's **Non-compliance** with: -  
 Document H The Building Regulations 2000, The Confined Spaces Regulations 1997,  
 The Working at Height Regulations 2005 and The CDM Regulations 2007 ACOP



**The Requirements:-**

(1) Doc. H1 Para. 2.48 Tables 11 & 12 : CDM Regs. Regulation 2 : WAH Regs. Regulation 2

**Increased depth of MH only required to fit control.**

(2) Doc H1 Para.2.53

**Sump required to fit control. Branches and channels cannot be installed**

(3) Doc H1 Para.2.46 - 2.50 : CS Regs. Regulation 4 Preventing the need for entry

**Control cannot be cleared from ground level. Man entry required.**

(4) Doc H1 Para. 2.13, 2.19, 2.20 & 2.53

**360° Flow path. Increased blockage risk.**

(5) Doc H1 Para. 2.18 & 2.22 (b)

**Permanently submerged inlet to control. Forms interceptor trap. Increased blockage risk.**

(6) Doc H3 Para. 3.14

**Decomposing material retained. increases risk of toxic gases and oxygen depletion in MH**

**Designers and Employers have a duty under CDM Regulations 2007 and Confined Spaces Regulations 1997 to eliminate all of the above risks to contractors and maintenance personnel**